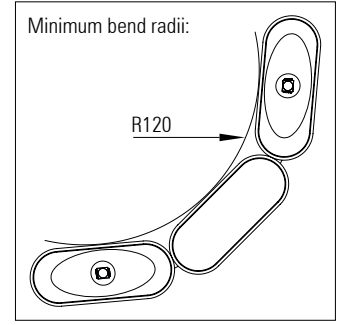
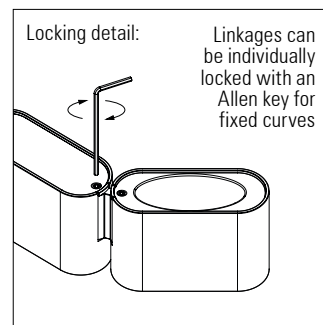
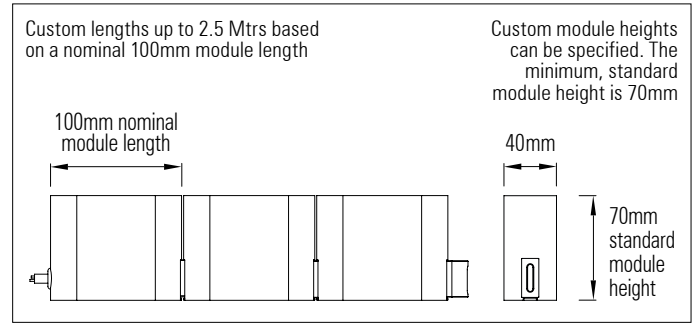


Centura 40 IP20

Flexible modular LED pendant lighting system

Up light - 1 x RGB, RGBW, RGBA array or white-light COB per every other module



Up light - 1 x RGB, RGBW, RGBA or white-light LED COB per module

Modular flexible LED pendant lighting system IP20 - Up light

Product description:

Centura has an articulated linkage-joint system between modules allowing for flexibility along the major axis. This innovative modular design offers the flexibility to follow curved surfaces, encircle columns and domes, and to make irregular shaped pendants, all whilst offering excellent lighting control and uniformity. This versatility offers the ability for use in a wide range of application areas including architectural, hospitality, leisure and retail

1 x white-light LED COB per module or 1 x array of Cree XBD RGB, RBW or RGBA LEDs with asymmetric white reflector (per every other module)

Up to 5 Watts per every other 100mm module

30 Volt - 48 Volt DC supply depending on application

Integral LV constant current drivers

Dimming options available: 1 - 10V, DMX and DALI

Various LED colour temperature and CRI options available

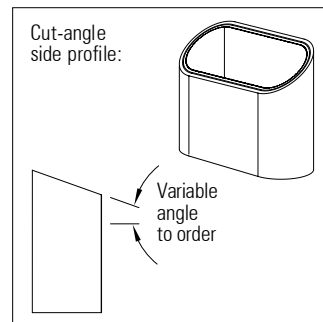
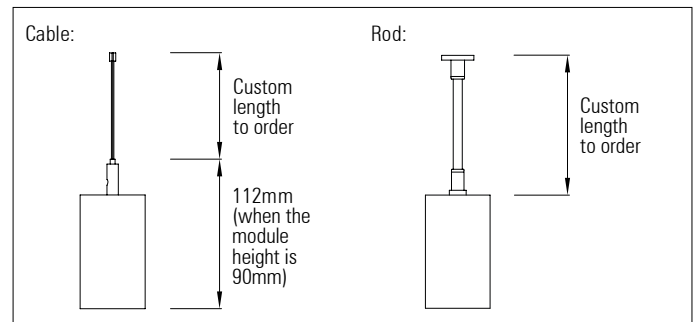
Satin black, satin white or any RAL anodized or powder coat finish

Anti-glare louvres are available

Custom lengths based on a 100 mm module up to 2.5 Mtrs

Rod or cable suspension options. Custom solutions are also available

* RGB, RGBW, RGBA and Dynamic-white options do not use a colour mixing lens



Up to 1,500 Lumens per Mtr

Product Code	No. of LEDs per mtr.	IP	Length (mm)	LED Type	CRI	Colour Temp. (K)	Optics	Mounting Type	Cut angle (°)	Finish
RAD CENTURA 40 FLEXIBLE UP IP20	5 x COBs / arrays per Mtr: 200mm pitch	20	100mm to 2,500mm Available in 100mm increments	Cree: XB-D	80	27=2,700k 30=3,000k 35=3,500k 40=4,000k 45=4,500k 50=5,000k * RGB * RGBW * RGBA * Dynamic white	Asymmetric reflector: -120° diffusion angle	Steel Cable Fixed rod	0° - 75° Available in 5 degree increments	Body: Black, white or any anodized or powder coat finish